

Pressure - Temperature - Level - Flow - Analytical - Control - Indication - Data logging



IMP-SML

OEM Pressure Transmitter
 Low-Cost, High Quality

- Shock and Vibration proof
- Resistant to pressure peaks
- Total accuracy < 1 % (includes thermals)
- nominal pressure ranges from 0.6 bar up to 2,000 bar
- robust stainless steel construction



IMP-SML

OEM Pressure Transmitter

Technical Data

Input pressure range		0.6	1.6	2.5	4	6	10	16	25	40	60	100	160
Nominal pressure gauge [bar]		0.6	1.6	2.5	4	6	10	16	25	40	60	100	160
Permissible overpressure [bar]		1.2	3.2	5	8	12	20	32	50	80	120	200	320
Nominal pressure gauge [bar]		250	400	600	1000	1600	2000	-	-	-	-	-	-
Permissible overpressure [bar]		500	800	1200	2000	2500	3000	-	-	-	-	-	-

Output signal / Supply	
Standard	2-wire: 4 ... 20 mA / V _S = 12 ... 32 V _{DC}
Option 1	3-wire: : 0 ... 5V / V _S = 12 ... 32 V _{DC}
Option 2	3-wire: : 0 ... 10V / V _S = 12 ... 32 V _{DC}
Option 3	3-wire: : 0.5 ... 45V / V _S = 5 V _{DC}

Performance	
Accuracy	± 1 % FSO over -20 to +80°C (includes non-linearity, Hysteresis, repeatability and temperature influences)
Permissible load	2-wire = (UB - 12V) / 20mA, 3-wire = >5kΩ
Influence effects	supply: 0.05 % FSO / 10 V

Mechanical stability	
Vibration	20 g RMS (20 ... 2000 Hz) Shock 1 mtr (free fall onto steel plate)

Permissible temperatures	
Medium	-40 ... 150 °C Electronics / environment -40 ... 105 °C Storage -40 ... 125 °C

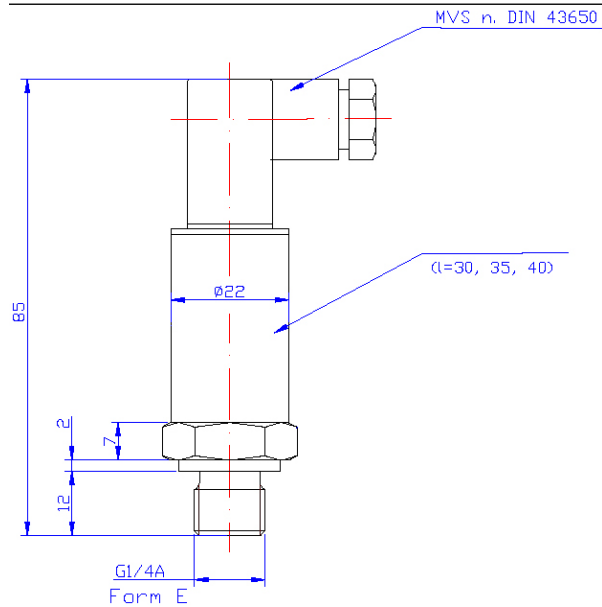
Visit the website: www.impress-sensors.co.uk

Company Registration number: 4346738, VAT Number: 786 6596 54, Registered Address: 12 Kimberley Close, Reading, Berkshire, RG1 6LA

Pressure - Temperature - Level - Flow - Analytical - Control - Indication - Data logging

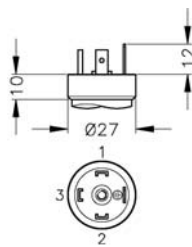
Mechanical connection

Standard



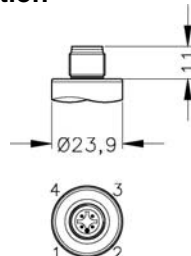
Electrical connection

Standard

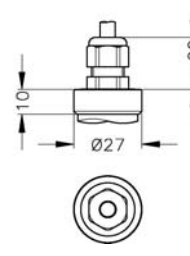


DIN 43650
(IP 65)

Option



M12x1 4-pin
(IP 67)



Cable gland
(IP 67)¹

Materials

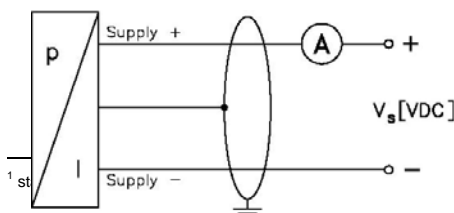
Pressure port / Housing / Diaphragm	stainless steel 17-4 PH, SUS 304 or SUS 630
Media wetted parts	pressure port, diaphragm

Pin configuration

Electrical connection		DIN 43650	M12x1 (4-pin)	cable colours (DIN 47100)
2-wire-system	Supply +	1	1	white
	Supply -	2	2	brown
	Ground	ground contact	4	yellow / black

Wiring diagram

2-wire-system (current)



Visit the website: www.impress-sensors.co.uk